



Main Features:-

- ◆ Full Port Ball Valve, Wafer Type
- ◆ 1/2" to 4" PN16
- ◆ Stainless Steel ASTM A182 F316
- ◆ Working Temperature -20 to +180C *
- ◆ Ball seats PTFE

*Temperature and pressure determined by valve body, seat etc.



Suitable Applications & Approvals:



HVAC



OIL



GAS



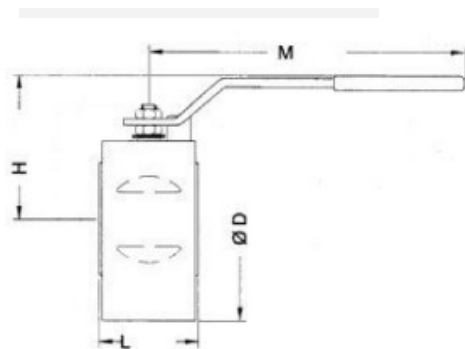
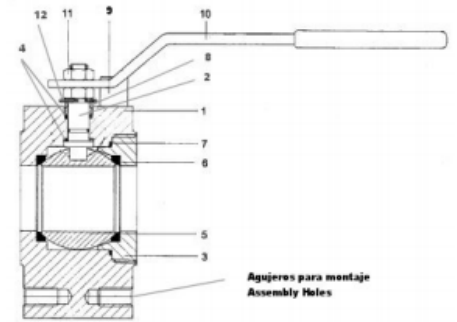
INDUSTRY

SERIES: 80042

MANUFACTURER: **GENEBRE**

VALVE MATERIALS & DIMENSIONS

ITEM	SECTION	MATERIAL	ADDITIONAL INFO / OPTIONS
1	Body	ASTM A182 F316	n/a
2	Stem	ASTM A182 F316	Spare Part Code I2110
3	Plug	ASTM A182 F316	n/a
4	Washer	PTFE	Spare Part Code 2925
5	Ball	ASTM A182 F316	Spare Part Code 2809
6	Ball Seat	PTFE	Spare Part Code 2925
7	Gasket	PTFE	Spare Part Code 2925
8	Stem Packing	AISI 304	Zinc Plated
9	Stopper	Steel	Zinc Plated
10	Handle	Steel	Zinc Plated
11	Nut	Steel	Zinc Plated



REF	SIZE	PN	nxd	ØD	H	L	M	Kg
80042-04	1/2"	16	4xM12	88	90	32	130	1.4
80042-05	3/4"	16	4xM12	98	90	42	180	2.2
80042-06	1"	16	4xM12	108	90	46	185	2.7
80042-07	1 1/4"	16	4xM16	128	110	55	280	4.6
80042-08	1 1/2"	16	4xM16	138	110	66	280	6.3
80042-09	2"	16	4xM16	148	120	72	280	7.85
80042-10	2 1/2"	16	4xM16	168	150	98	360	13.8
80042-11	3"	16	4xM16	188	160	120	360	20.65
80042-12	4"	16	4xM16	220	180	140	480	31.20



T +44 (0)1386 552369

E sales@allvalves.co.uk

W www.allvalves.co.uk

F +44 (0)1386



Genebre are a global brand of industrial valves with large stocks held for fast delivery on various type of valves, sizes, end connections and materials.

SERIES: 80042

TORQUE / Kv VALUES / PRESSURE & TEMP CHART

REF	SIZE	TORQUE Nm	REF	SIZE	Kv
80042-04	1/2"	8-12	80042-04	1/2"	24
80042-05	3/4"	8-12	80042-05	3/4"	43
80042-06	1"	8-12	80042-06	1"	83
80042-07	1 1/4"	13-18	80042-07	1 1/4"	130
80042-08	1 1/2"	13-18	80042-08	1 1/2"	205
80042-09	2"	13-18	80042-09	2"	340
80042-10	2 1/2"	19-24.5	80042-10	2 1/2"	520
80042-11	3"	19-24.5	80042-11	3"	1100
80042-12	4"	19-24.5	80042-12	4"	1820

TORQUE :

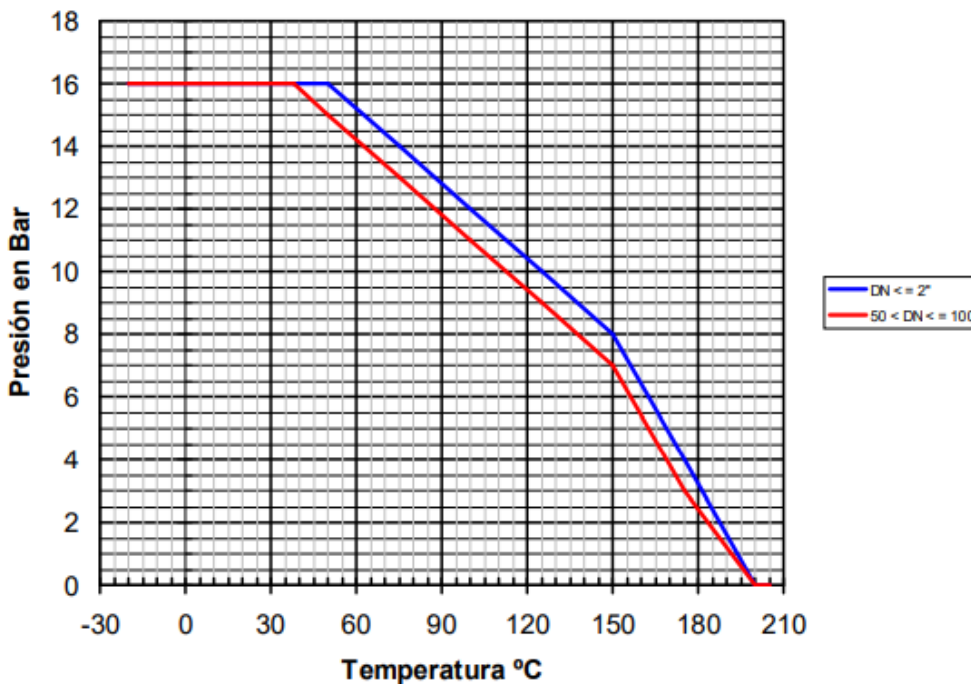
- The liquid listed in the table are initial breakaway torques, taken with liquids and lubricant media.

- Please regard these as approximate values, as the

KV VALUES:

- The Kv values (M3 per hour) is the flow of water at a temperature of 5C to 30C (41F to 86F) at p of 1 bar

PRESSURE AND TEMPERATURE CHART



ALL VALVES

Offering a full range of actuated valve packages, manual valve range, pipe fittings and pumps, we have a product for all your requirements. As an ISO 9001-2015 Quality Approved and certified company, All Valves offer a quality service from pre-sale to post sale. Shipping millions of pounds in value of manual valve and actuated valve packages all over the world since its formation, All Valves are a trusted valve and actuator supplier to many companies all over the world. Working with the leading brands in most industries.

GENEBRE

Genebre is a leading company and world reference in fluid control and high-quality taps. They control all the creation processes, responding to the specific needs of each market: from the initial concept and design of the product to the production and commercialization.

In the Industrial line of Genebre products you will find a wide range of industrial valves and their accessories, sanitary line valves, automated valves and control valves, stainless steel fittings, different elements for industrial instrumentation and all spare parts for valves sphere.



T +44 (0)1386 552369

E sales@allvalves.co.uk

W www.allvalves.co.uk

F +44 (0)1386